

HD40810 Series

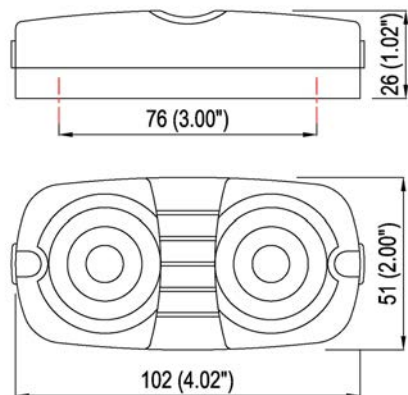
LED 4" Double Bulls Eye Clearance Marker



LED: 10 SMD
COLOR: Red and Amber
DIMENSION: 4.02" x 2.0" x 1.02"
VOLT RANGE: 7.5-14 VDC
AMP DRAW: 70mA

Product Specifications

- Universal Design for Use as Clearance Marker or ID Light
- Polycarbonate Lens & Housing
- Conformally Coated Electronics
- Surface Mount
- Screws Included
- Mounting Hole Center to Center: 3"
- Pre-wired and Ready for Install



40810RSMD
Red Lens



40810RCSMD
Clear Lens



40810YSMD
Amber Lens



40810YSMD
Clear Lens



HD40811C
Chrome Metal Guard