

### Shown without Trim Ring

### Shown with Stainless Steel Trim Ring



**HD12507R**  
7 LED | Red Lens



**HD12507RC**  
7 LED | Clear Lens



**HD12507R-SS**  
7 LED | Red Lens



**HD12507RC-SS**  
7 LED | Clear Lens



**HD12507Y**  
7 LED | Amber Lens



**HD12507YC**  
7 LED | Clear Lens

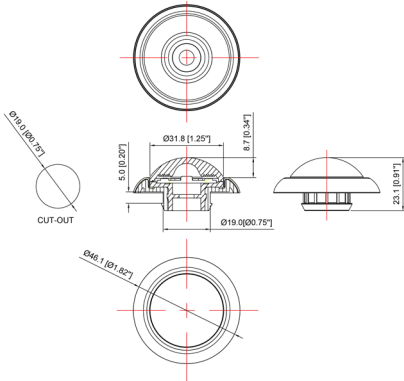


**HD12507Y-SS**  
7 LED | Amber Lens



**HD12507YC-SS**  
7 LED | Clear Lens

### Drawings



**HD12507WC**  
7 LED | Clear Lens



**HD12507WC-SS**  
7 LED | Clear Lens



**HD34000SS**  
Trim Ring | Stainless Steel

### Product Specifications

### Product Features

<b>LED:</b>	2835 SMD	2835 SMD
<b>COLOR:</b>	Red	Amber   White
<b>DIMENSION:</b>	1.82" x .91"	1.82" x .91"
<b>VOLTAGE:</b>	12 VDC	12 VDC
<b>VOLT RANGE:</b>	7.5 - 14 VDC	7.5 - 14 VDC
<b>AMP DRAW:</b>	68mA	53mA   84mA
<b>IP RATING:</b>	65	65
<b>TERMINALS:</b>	0.180" (4.57mm) bullet	0.180" (4.57mm) bullet

- Universal Design for Use as Clearance Side Marker or ID Light
- Impact Resistant Polycarbonate Lens
- Epoxy Sealed PCB & Electronics
- Conformally Coated PCB
- 6" Sleeved Wires
- Flush Mount in 3/4" Hole with Grommet
- Hard Wired with Bullet Terminal Connectors
- DOT SAE P2 PC