



HD21002SMDR
2 LED | Red Lens

HD21002SMDY
2 LED | Amber Lens

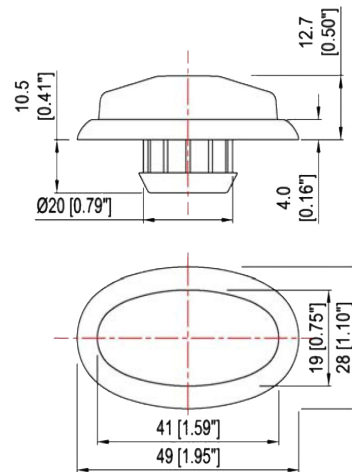
Product Specifications

PART NO:	HD21002RSMD	HD21002YSMD
LED:	SMD	SMD
COLOR:	Red	Amber
DIMENSION:	1.95" x 1.10" x 0.50"	1.95" x 1.10" x 0.50"
VOLT RANGE:	7.5 - 14 VDC	7.5 - 14 VDC
AMP DRAW:	20mA	20mA

Product Features

- Universal Design for Use as Clearance Side Marker or ID Light
- Impact Resistant Polycarbonate Lens
- Epoxy Sealed PCB & Electronics
- Conformally Coated PCB
- Shielded Wires
- Flush Mount in 3/4" Hole with Grommet
- Hard Wired with Bullet Terminal Connectors
- DOT SAE P2 PC

Drawings



Additional Images

