



Mini Round 2-Wire Clearance Marker

HD34001 Series



HD34001RSMD
1 LED | Red Lens



HD34001RCSMD
1 LED | Clear Lens



HD34001YSMD
1 LED | Amber Lens



HD34001YCSMD
1 LED | Clear Lens

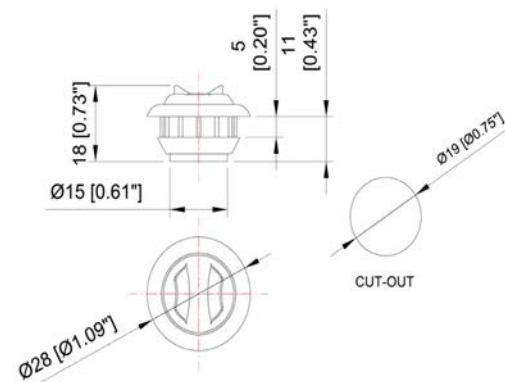
Product Specifications

PART NO:	HD34001RSMD	HD34001RCSMD	HD34001YSMD	HD34001YCSMD
LED:	2835 SMD	2835 SMD	2835 SMD	2835 SMD
COLOR:	Red	Red	Amber	Amber
DIMENSION:	1.09" x 0.73"	1.09" x 0.73"	1.09" x 0.73"	1.09" x 0.73"
VOLT RANGE:	7.5 - 14 VDC	7.5 - 14 VDC	7.5 - 14 VDC	7.5 - 14 VDC
IP RATING:	67	67	67	67
TERMINALS:	0.180" (4.57mm) bullet	0.180" (4.57mm) bullet	0.180" (4.57mm) bullet	0.180" (4.57mm) bullet
AMP DRAW:	40mA	40mA	100mA	100mA

Product Features

- Super Bright 1 SMD
- Polycarbonate Lens with Engineered Optics
- Epoxy Sealed PCB & Electronics
- Universal Design for Use as Clearance Side Marker or ID Light
- Compact Size for Easy Installation
- Flush Mount 3/4" Hole with Grommet Included
- Two-Wire Design with Shielded wires
- Hard Wired with Bullet Terminals | 0.180" (4.57 mm)
- DOT/SAE P2 PC
- CE, RoHS Compliant
- Optional Accessories: HD34000SS and HD21340 Branch Deflectors

Drawings



Additional Images



heavydutylighting.com

Phone: 503 233 0008 · Fax: 503 233 0009 · Toll Free: 877 238 0008

BE VISIBLE. STAY SAFE.®