



**HD34101R**  
1 LED



**HD34101RC**  
1 LED



**HD34101WC**  
1 LED



**HD34101Y**  
1 LED



**HD34101YC**  
1 LED

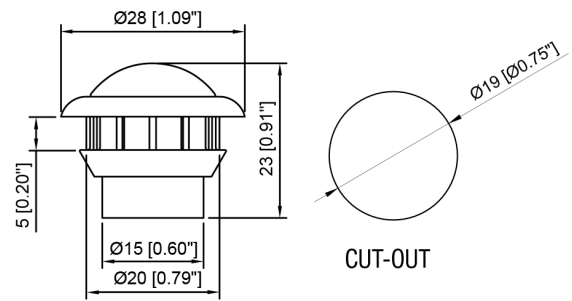
### Product Specifications

PART NO:	HD34101R	HD34101RC	HD34101WC	HD34101Y	HD34101YC
LED:	SMD	SMD	SMD	SMD	SMD
COLOR:	Red	Red	White	Amber	Amber
LENS COLOR:	Red	Clear	Clear	Amber	Clear
DIMENSION:	1.09" x 0.91"	1.09" x 0.91"	1.09" x 0.91"	1.09" x 0.91"	1.09" x 0.91"
VOLT RANGE:	7.5 - 14 VDC	7.5 - 14 VDC	7.5 - 14 VDC	7.5 - 14 VDC	7.5 - 14 VDC
IP:	67	67	67	67	67
AMP DRAW:	120mA	120mA	120mA	120mA	120mA

### Product Features

- Polycarbonate Lens & Housing
- Epoxy Sealed PCB & Electronics
- Universal Design for Use as Clearance Side Marker or ID Light
- Compact Size for Easy Installation
- Rubber Grommet Included
- Two-Wire Design with Shielded Wires
- Hard-Wired with Bullet Terminals | 0.180"
- DOT SAE P2 PC

### Drawings



### Additional Images

