

# HD34103 Series

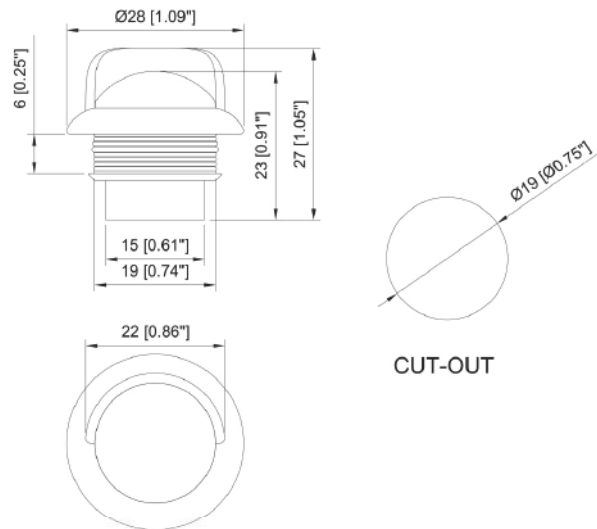
## LED Mini Round 2-Wire Clearance Marker



**LED:** 3 2835 SMD  
**COLOR:** Red and Amber  
**DIMENSION:** 1.09" x 0.7"  
**VOLT RANGE:** 7.5-14 VDC  
**AMP DRAW:** 20mA

### Product Specifications

- Super Bright 3 SMD
- Universal Design for Use as Auxiliary/Utility Marker or ID Light
- Compact Size for Easy Installation
- Flush Mount 3/4" Hole with Included Grommet
- Grommet Design Includes "Built-in Visor"
- 6" Sleeved Wires with Bullet Terminals
- SAE/DOT P2



**HD34103RSMD**  
Red Lens



**HD34103RCMSMD**  
Clear Lens



**HD34103YSMD**  
Amber Lens



**HD34103YCSMD**  
Clear Lens