

HD34103 Series

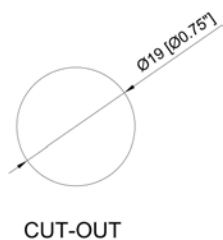
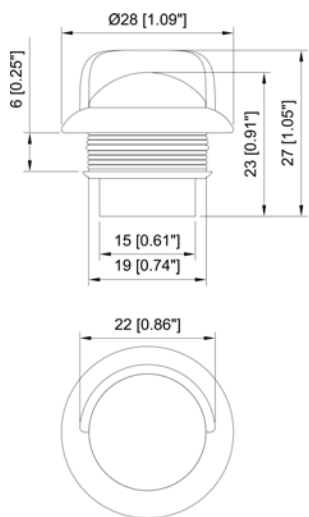
LED Mini Round 2-Wire Clearance Marker



LED: 3 2835 SMD
COLOR: Red and Amber
DIMENSION: 1.09" x 0.7"
VOLT RANGE: 7.5-14 VDC
AMP DRAW: 20mA

Product Specifications

- Super Bright 3 SMD
- Universal Design for Use as Auxiliary/Utility Marker or ID Light
- Compact Size for Easy Installation
- Flush Mount 3/4" Hole with Included Grommet
- Grommet Design Includes "Built-in Visor"
- 6" Sleeved Wires with Bullet Terminals
- SAE P2 PC DOT



HD34103RSMD
Red Lens



HD34103RCSMD
Clear Lens



HD34103YSMD
Amber Lens



HD34103YCSMD
Clear Lens