



HD34201RC
1 LED



HD34201WC
1 LED



HD34201YC
1 LED



HD34201BC
1 LED



HD34201GC
1 LED

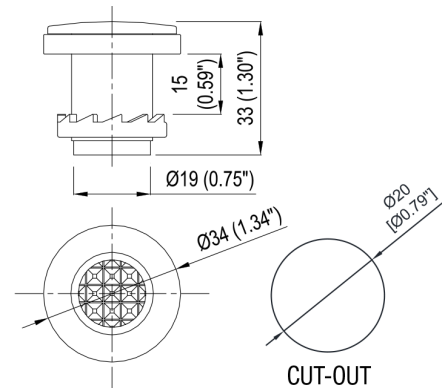
Product Specifications

PART NO:	HD34201RC	HD34201WC	HD34201YC	HD34201BC	HD34201GC
LED:	SMD	SMD	SMD	SMD	SMD
COLOR:	Red	White	Amber	Blue	Green
DIMENSION:	1.09" x 0.91"	1.09" x 0.91"	1.09" x 0.91"	1.09" x 0.91"	1.09" x 0.91"
VOLT RANGE:	12 - 14 VDC	12 - 14 VDC	12 - 14 VDC	12 - 14 VDC	12 - 14 VDC
AMP DRAW:	20mA	20mA	20mA	20mA	20mA
IP:	67 69K	67 69K	67 69K	67 69K	67 69K

Product Features

- Clear Polycarbonate Lens & Housing
- LED at a Wide Viewing Angle
- Epoxy Encapsulated Electronics
- Rubber Washer & Threaded Barrel with Lock Nut Included
- Two-Wire Design
- Male Bullet Terminals
- Submersible Light. Designed for Livewells, Lockers and Compartments

Drawings



Additional Images

